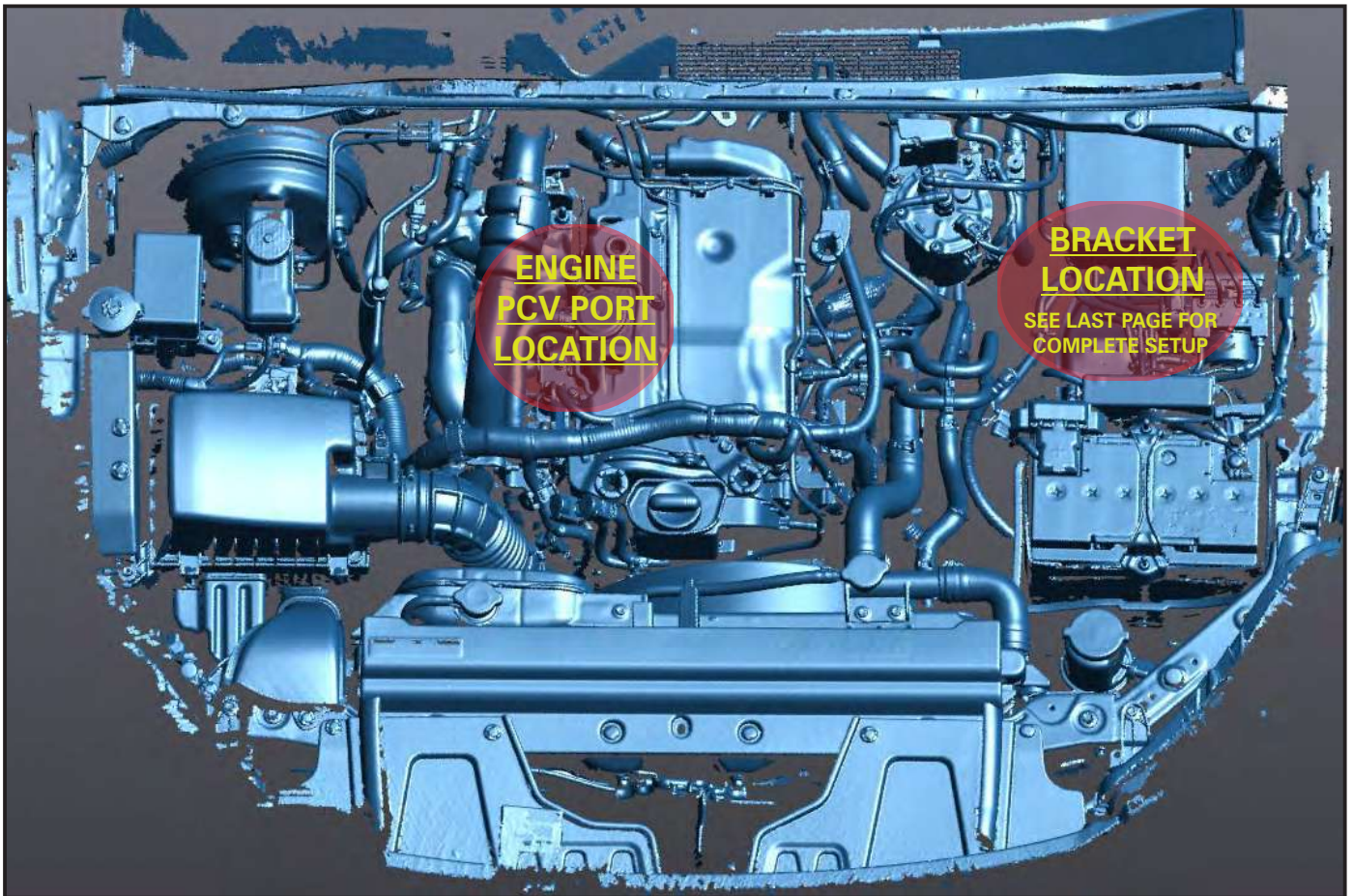


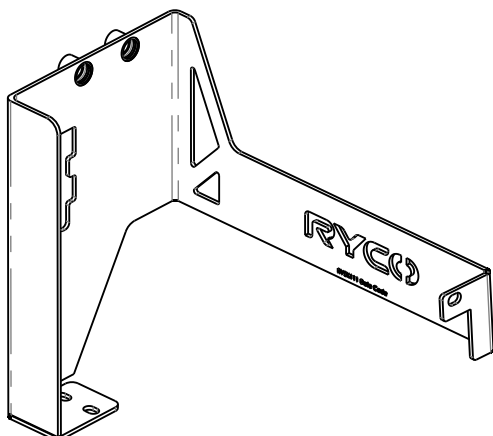
X111R FUEL WATER SAPARATOR / CATCHCAN FITMENT INSTRUCTIONS

NISSAN NAVARA NP300 - See RYCO catalogue for specific application details.

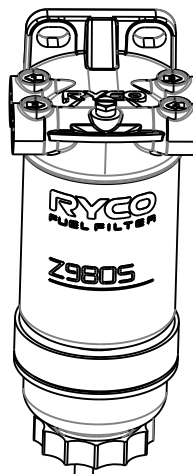
The Ryco X111R kit includes mounting bracket specifically designed for the vehicle, and all components required to complete the installation of Ryco Z980SK16 series fuel water separator and RCC351 series catchcan. It is recommended that the installation is conducted by a qualified mechanic following the procedures in this instruction sheet.



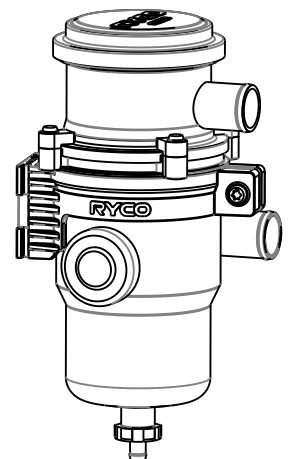
SECTION 1
METAL BRACKET



SECTION 2
FUEL WATER SEPARATOR

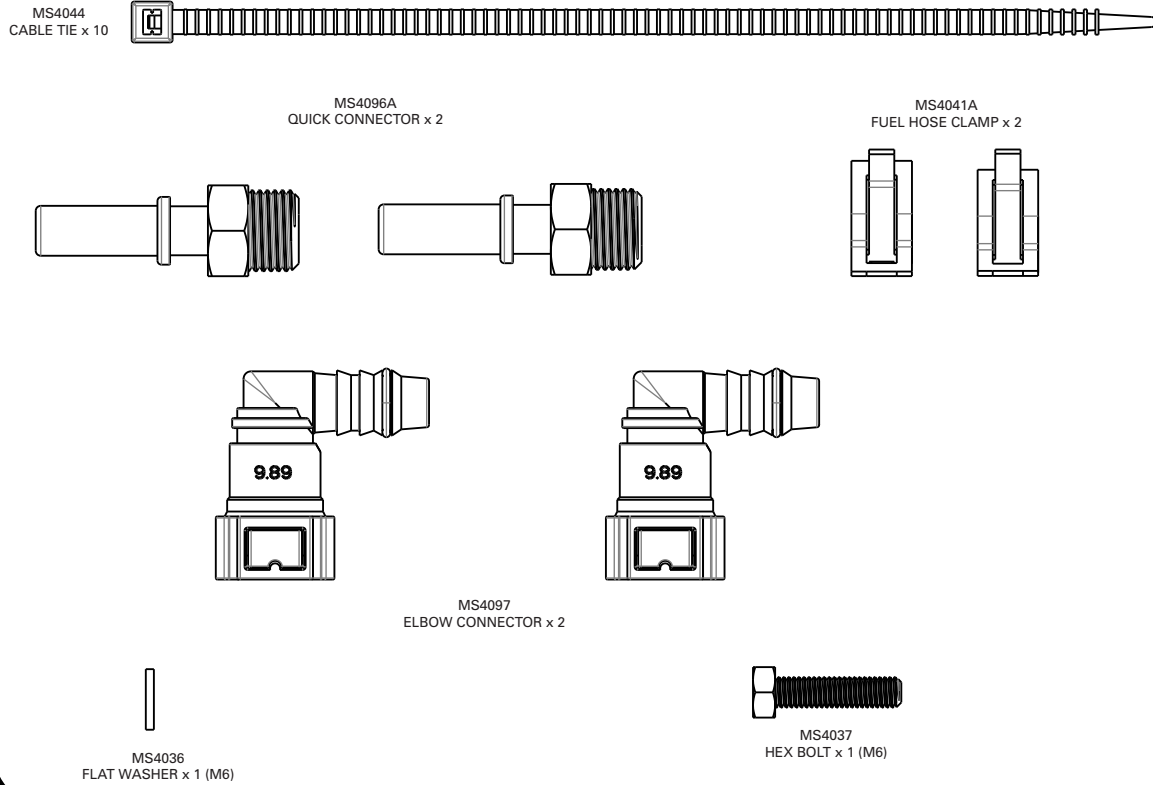


SECTION 3
CATCHCAN

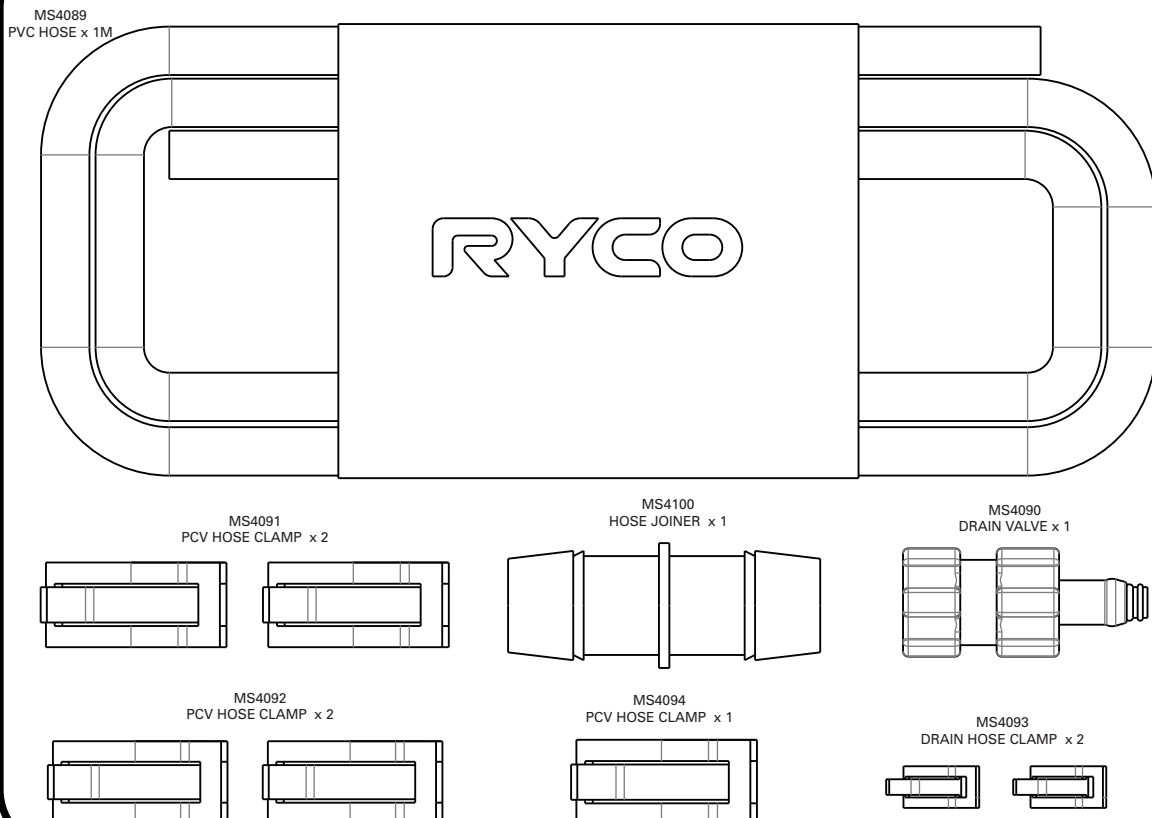


COMPONENTS INCLUDED IN X111R KIT

X111R PARTS LIST - BRACKET / FUEL FILTER COMPONENTS BOX



X111R PARTS LIST - CRANKCASE VENT. FILTER COMPONENTS BOX



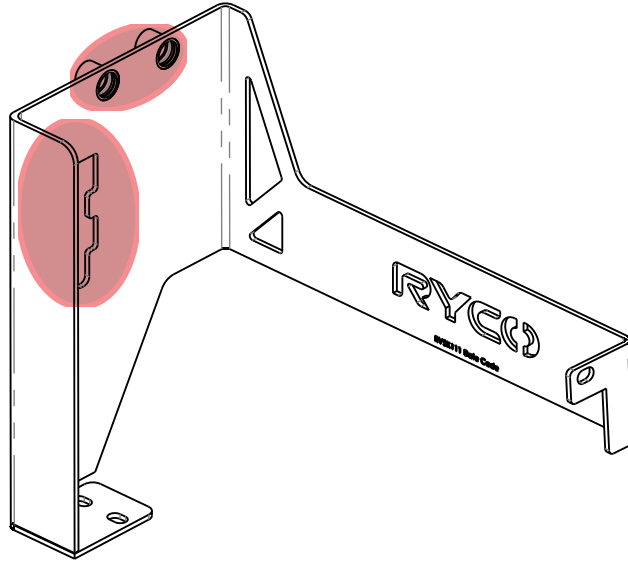
COMPONENTS INCLUDED IN X111R KIT

PARTS LIST - BRACKET, FUEL FILTER & CATCHCAN COMPONENTS

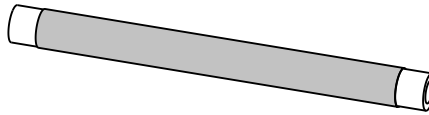
**FUEL WATER SEPARATOR
MOUNTING POSITION**

FB9809C
MOUNTING BRACKET x 1

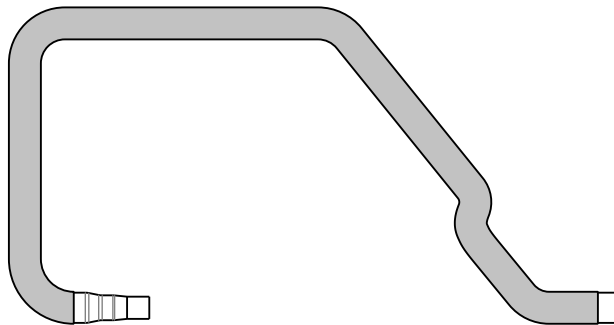
**CATCHCAN
MOUNTING POSITION**



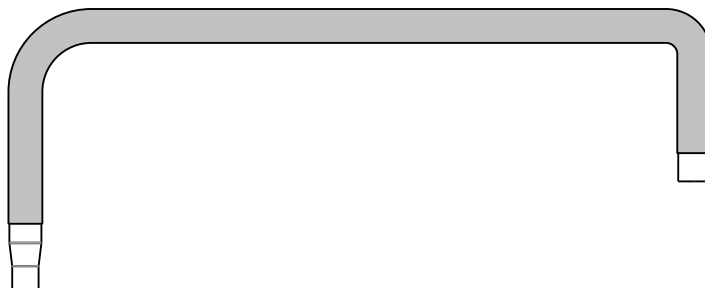
HF9809
FUEL HOSE x 1
(225mm)



MH9809A PCV HOSE x 1

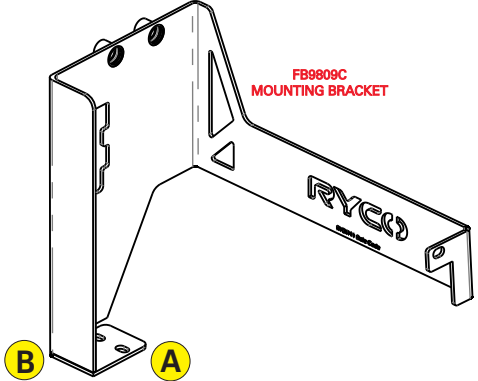
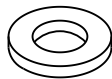
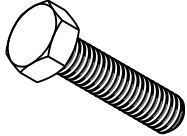


MH9809B PCV HOSE x 1



X111R FUEL WATER SEPARATOR / CATCHCAN FITMENT INSTRUCTIONS

SECTION 1 METAL BRACKET FITMENT

PARTS REQUIRED			TOOLS & PPE'S REQUIRED
 <p>FB9809C MOUNTING BRACKET</p>	 <p>MS4036 WASHER x 1 (M6)</p>	 <p>MS4037 HEX BOLT (M6)</p>	<ul style="list-style-type: none"> * WORK GLOVES * RACHET SET

WORK PROCEDURE

1. Remove the two (2) factory M6 flange nuts holding the factory wire harness bracket (black), from Point **A** and **B**.
2. Locate the threaded hole at Point **C** on the side wall. Position the bracket in the engine bay as per Fig. 1, placing Point **A** and **B** onto factory studs and Point **C** onto the side wall. Place the factory wire harness bracket on top of the FB9809C bracket foot, as per Fig. 2.
3. Loosely refit the factory M6 flange nuts at Point **A** and **B** onto the studs, and the supplied M6 bolt and washer onto Point **C** on the side wall.
4. Tighten all three (3) fasteners as per Fig. 2.

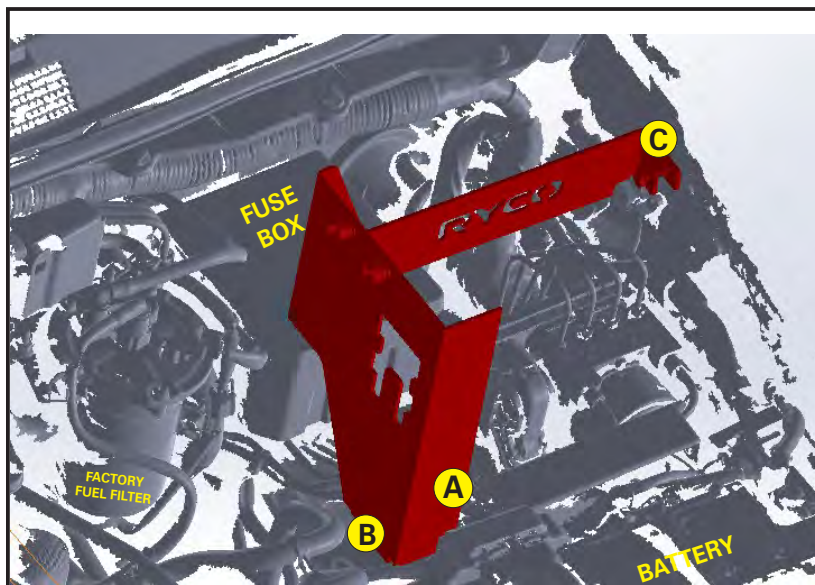


FIG. 1 BRACKET IN ENGINE BAY

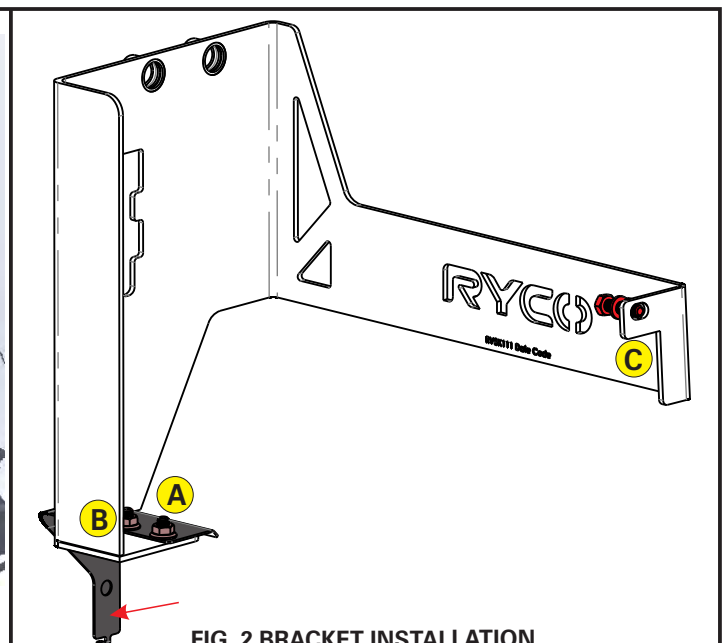


FIG. 2 BRACKET INSTALLATION

X111R FUEL WATER SEPARATOR / CATCHCAN FITMENT INSTRUCTIONS

SECTION 2 FUEL WATER SEPARATOR INSTALLATION

PARTS REQUIRED		TOOLS & PPE'S REQUIRED
<p>M16 PLUG x 2</p> <p>M10 BOLT x 2</p> <p>M10 FLANGE NUT x 2</p> <p>RUBBER BONDED WASHER x 4</p> <p>M10 WASHER x 2</p> <p>RYCO Z980SK16 FUEL WATER SEPARATOR</p>	<p>MS4096A METAL QUICK CONNECTOR x 2</p> <p>MS4097 ELBOW QUICK CONNECTOR x 2</p> <p>MS4041A FUEL HOSE CLAMP x 2</p> <p>HF9809 FUEL HOSE x 1 (225mm)</p>	<ul style="list-style-type: none"> * WORK GLOVES * RACHET SET * HOSE CLAMP PLIERS * RAGS

WORK PROCEDURE

1. Select the supplied quick connectors that fit the Ryco fuel water separator head.
2. Locate the blanking plugs supplied with the fuel water separator.
3. Install the Ryco fuel water separator head with metal quick connectors, blanking plugs and rubber bonded washers, as per Fig 3. Tighten blanking plugs(on Port 1 & 2) and quick connectors (on Port 3 & 4).
4. Install the two (2) supplied elbow connectors onto the supplied 225mm fuel hose with the supplied fuel hose clamps, as per Fig. 4, by ensuring one elbow connector opening is facing downwards and another one is facing the radiator in a horizontal position.
5. Tighten both fuel hose clamps to secure the elbow connectors.

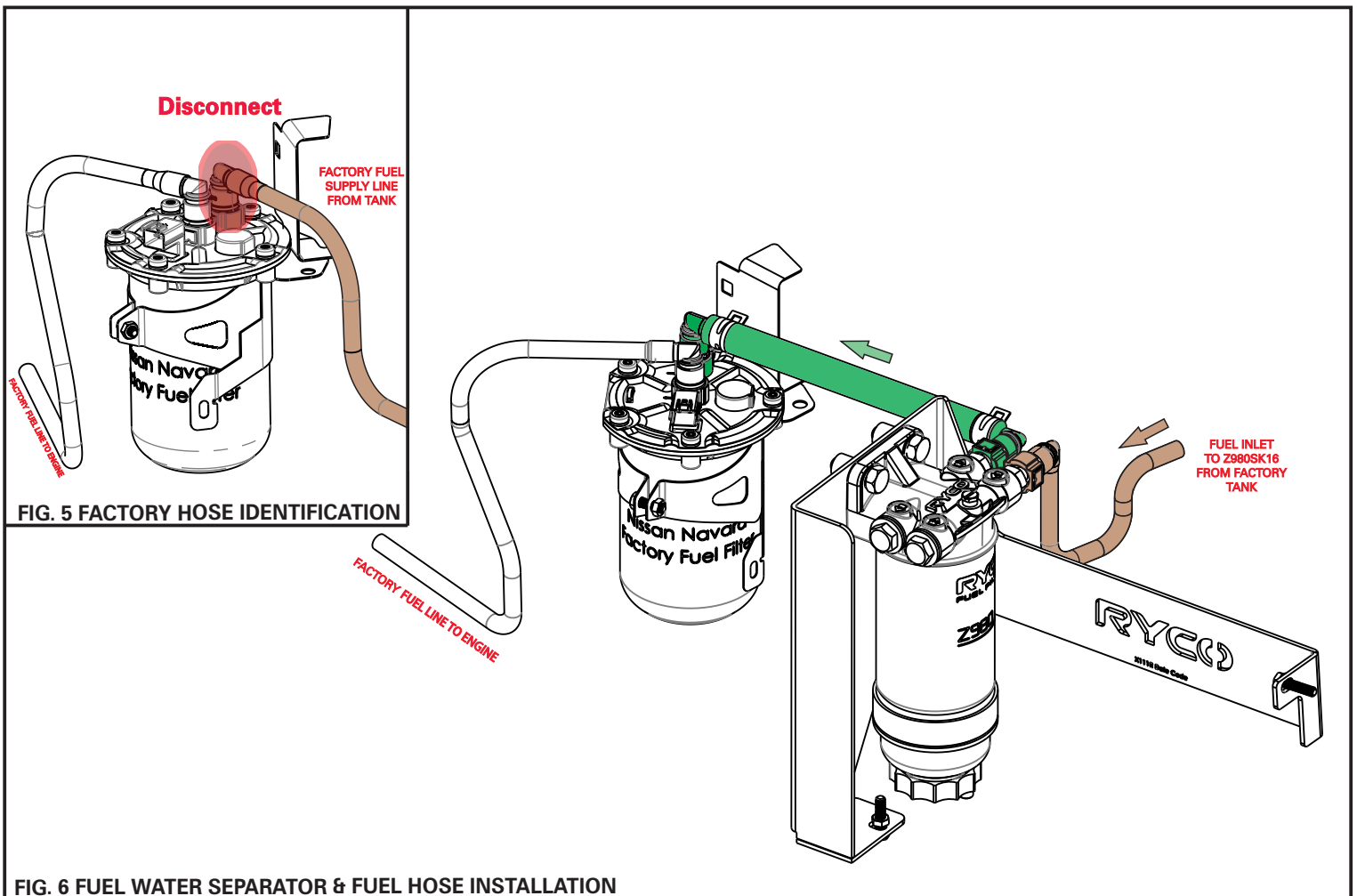
<p>FIG. 3 FUEL WATER SEPARATOR HEAD PREPARATION</p>	<p>FIG. 4 FUEL HOSE PREPARATION</p>
---	-------------------------------------

X111R FUEL WATER SEPARATOR / CATCHCAN FITMENT INSTRUCTIONS

SECTION 2 FUEL WATER SEPARATOR INSTALLATION (CONTINUED)

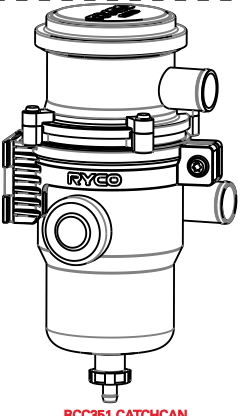
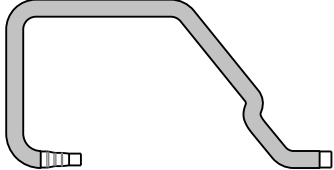
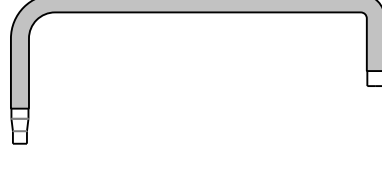
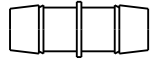

WORK PROCEDURE (CONT'D)

1. Mount the Z980SK16 assembly onto metal bracket using the two (2) black M10 bolts supplied with the Z980SK16.
2. Locate the factory fuel supply line by starting at the factory fuel filter. Locate the factory elbow connector (see Fig. 5), squeeze the tabs and disconnect from the factory fuel filter. Have a rag ready to capture any diesel that may spill out of the fuel line and the fuel filter. Connect the factory elbow connector to the inlet (see Fig. 6) of Z980SK16 fuel filter until you hear a "click".
3. Install the previously prepared fuel hose (coloured green in Fig. 6) by connecting the horizontal-facing elbow connector onto the outlet of Z980SK16 fuel filter until you hear a "click". Do not connect the other elbow connector to the factory fuel filter yet.
4. Find an assistant to help prime the fuel system. Place a container under the unconnected elbow connector. Prime the fuel system by turning the ignition key to "On / Run" position (do not start the Engine) until fuel comes out from the elbow connector. Turn off the ignition and connect the elbow connector to the factory fuel filter. Start the engine and check for leaks in fuel lines and connectors.



X111R FUEL WATER SAPARATOR / CATCHCAN FITMENT INSTRUCTIONS

SECTION 3 CATCHCAN INSTALLATION

PARTS REQUIRED		TOOLS & PPE'S REQUIRED	
 <p>RCC351 CATCHCAN</p>	<p>MH9809A PCV HOSE x 1</p> 	<p>MH9809B PCV HOSE x 1</p> 	<ul style="list-style-type: none"> * WORK GLOVES * RACHET SET * HOSE CLAMP PLIERS
	<p>MS4100 PCV HOSE JOINER</p> 	<p>MS4094 PCV HOSE CLAMP x 1</p> 	

WORK PROCEDURE

1. Remove the engine cover where applicable.
2. Before mounting the catchcan, loosen the four (4) retaining screws of RCC351, rotate the head 90 degrees to ensure the catchcan upper port (outlet) is facing the windscreen and the lower port (inlet) is facing towards the engine. See Fig. 7 below.
3. Mount the catchcan onto the bracket by sliding the RCC351 nylon bracket onto the catchcan mounting position on FB9809C.

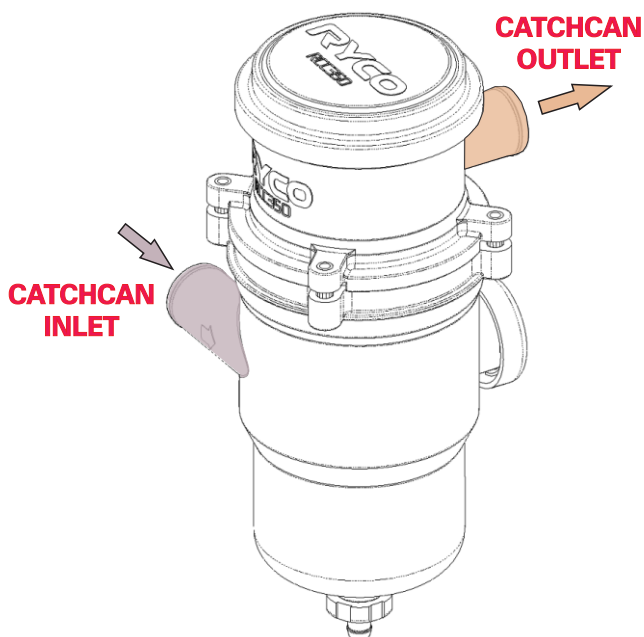


FIG. 7 PREPARING CATCHCAN BEFORE INSTALLATION

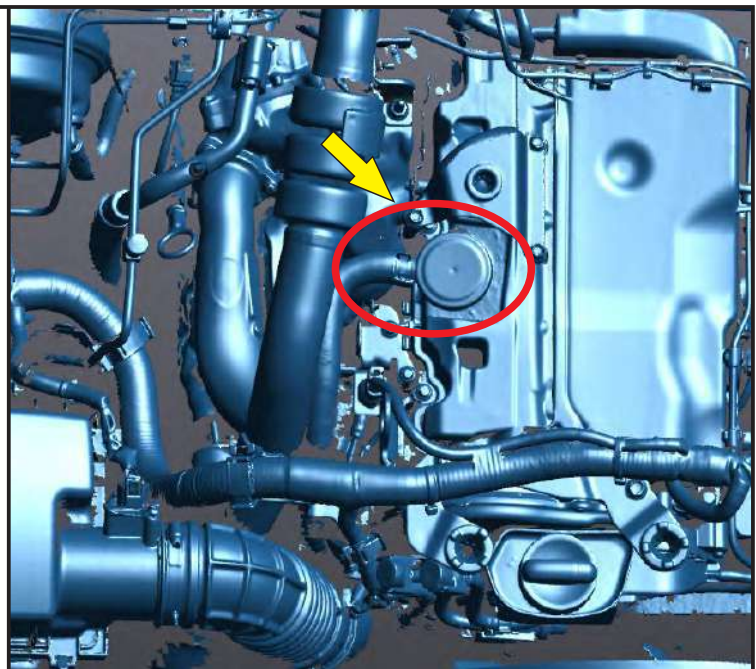


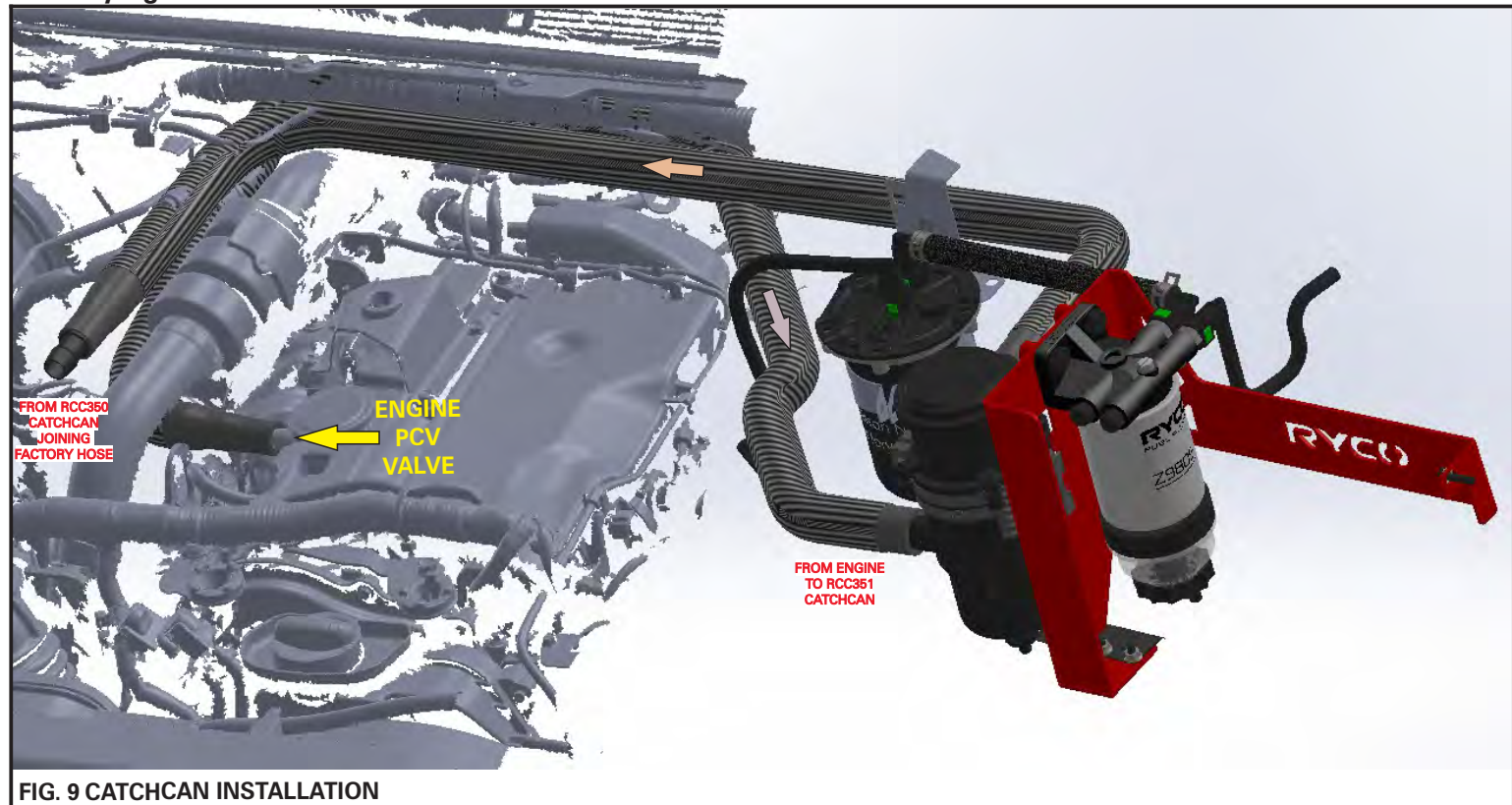
FIG. 8 ENGINE PCV VALVE & FACTORY PCV HOSE

X111R FUEL WATER SAPARATOR / CATCHCAN FITMENT INSTRUCTIONS

SECTION 3 CATCHCAN INSTALLATION (CONTINUED)

WORK PROCEDURE (CONTINUED)

3. Disconnect the factory PCV hose from the engine PCV valve by compressing the spring clamp. Loosely install one of the supplied small hose clamp (MS4092, ID 23mm) onto the factory PCV hose and keep it aside temporarily.
4. Install the elbow end of Ryco MH9809A moulded hose onto the engine PCV valve and secure with a supplied hose clamp (MS4092, ID 23mm). Feed it along the back of the engine ensuring it also runs under the factory fuel pipe, as per Fig. 9. Connect the larger end to the lower port of RCC351, securing with a supplied large (MS4091, ID 29mm) hose clamp .
5. Connect the shorter end of Ryco MH9809B moulded hose onto the upper port of the RCC351 and secure with a supplied large (MS4091, ID 29mm) hose clamp. Route the moulded hose behind the metal factory fuel filter bracket and on top of the other PCV hose as shown. Connect the longer end of the MH9809B moulded hose with the supplied hose joiner (MS4100) and secure with a supplied small (MS4094, ID 25mm) hose clamp (Fig. 8).
6. Connect the factory PCV hose onto the other end of the hose joiner and tighten the hose clamp.
7. Check both PCV hoses are not jammed or kinked by the surrounding engine parts, and all PCV hose clamps are securely tightened.



DRAIN HOSE INSTALLATION PROCEDURE (OPTIONAL)

1. To install the drain hose, remove the drain plug from the bottom of RCC351, take out the rubber seal from the plug and refit. Insert the drain hose and secure it with the supplied spring clamp. Insert the hose drain tap to the other end and use the zip ties to secure the hose. To drain, pull back the red section until all oil has drained out.
2. If it has been fitted without using the drain hose supplied, simply slide out the unit from its bracket and loosen the drain plug on the unit and let the oil drain onto a pan or bottle.

X111R FUEL WATER SAPARATOR / CATCHCAN FITMENT INSTRUCTIONS



AUSTRALIA

RYCO Group Pty Ltd
29 Taras Avenue, Altona North
Victoria 3025 Australia.
www.rycofilters.com.au

NEW ZEALAND

RYCO Group - A division of GUD (NZ) Holdings Limited
19 Bell Avenue, Otahuhu,
Auckland, 1060 New Zealand.
www.ryco.co.nz

SOCIAL NETWORKS

Facebook: [Facebook.com/rycofilters](https://www.facebook.com/rycofilters)
YouTube: [Youtube.com/rycofiltersaus](https://www.youtube.com/rycofiltersaus)
Twitter: [Twitter.com/Ryco_Filters](https://twitter.com/Ryco_Filters)
Instagram: [Instagram.com/rycofilters](https://www.instagram.com/rycofilters)